



# Product Specification Sheet

## Pacific 90° Fixed Beam



**A base axial profile delivering a “cool” beam of light in a fixed beam of 90°.**

**An energy efficient luminaire with active heat management system delivers longer life for filters, shutters and lower energy consumption.**

### Features

A unique new super wide 90° fixed beam profile with a high light output due to its unique reflector design.

Cool light ‘white’ light. Over 80% of the heat is removed from the light beam by cold mirror and dissipated through the heat-sink.

Base down lamp mounted axially in the reflector to maximise light collection.

Choice of 600W, 800W, 1000W or 150W MH or MSR 575W lamp modules (each supplied with 1m mains cable).

Accurate, simple & cool to use, lamp peak / flat adjustment.

Two pattern / iris mounting positions / Rotatable lens tube.

Constructed from aluminium pressure die-castings and injection moulded Fortron plastic components.

Automatic disconnection of power on removal of lamp module.

Height adjustable yoke.

### Lamps: 240V

<b>GKV600W</b>	15,000 lumens	300 hours average life
<b>GLB600W</b>	13,000 lumens	1500 hours average life
<b>800W</b>	22,000 lumens	400 hours average life
<b>GAD1000WBP</b>	25,000 lumens	250 hours average life
<b>GAB1000W BP 230V</b>	25,000 lumens	250 hours average life

### Order Codes

**18PAC90/6**  
Pacific 90° Fixed Beam, 600W, 800W

**18PAC90/1**  
Pacific 90° Fixed Beam, 1000W

**18PAC90/CDM**  
Pacific 90° Fixed Beam CDM -150W

**18PACL90**  
Pacific 90° Super Wide lens tube only

**19PACGHA**  
Pacific gobo holder, ‘A’ size

**20IRIS**  
Pacific iris

**19PACSM1228**  
Lens safety mesh

**20HC**  
Suspension hook clamp

### Approvals

CE marked



## Photometric Data

Tests conducted using standard 240V production lamps manufactured by Philips.

Beam angle	90 °, m	Beam Diameter								
		0	4	8	12	16	20	24	28	32
Throw Distance in m		0	2	4	6	8	10	12	14	16
Lamp		Light Output in Lux								
240VBP 1000W	90°	Peak	4360	1090	484	273	174	-	-	-
		Flat	3960	990	440	248	158	-	-	-
240V 800W	90°	Peak	4680	1170	520	293	187	-	-	-
		Flat	3200	800	356	200	128	-	-	-
240V GKV 600W	90°	Peak	3200	800	356	200	128	-	-	-
		Flat	1680	420	187	105	67	-	-	-
80V 1200W	90°	Peak	6400	1600	711	400	256	178	-	-
		Flat	3440	860	382	215	138	-	-	-
MSR 575 / 2	90°	Peak	8400	2100	933	525	336	233	171	-
		Flat	4400	1100	489	275	176	-	-	-
CDM-T 942 / 830 150W	90°	Peak	2480	620	276	155	-	-	-	-
		Flat	1440	360	160	-	-	-	-	-
CDM-T 942 / 830 70W	90°	Peak	1520	380	169	-	-	-	-	-
		Flat	800	200	-	-	-	-	-	-
CST 250 HR	90°	Peak	2952	738	328	185	-	-	-	-
		Flat	2952	738	328	185	-	-	-	-

## Physical Data

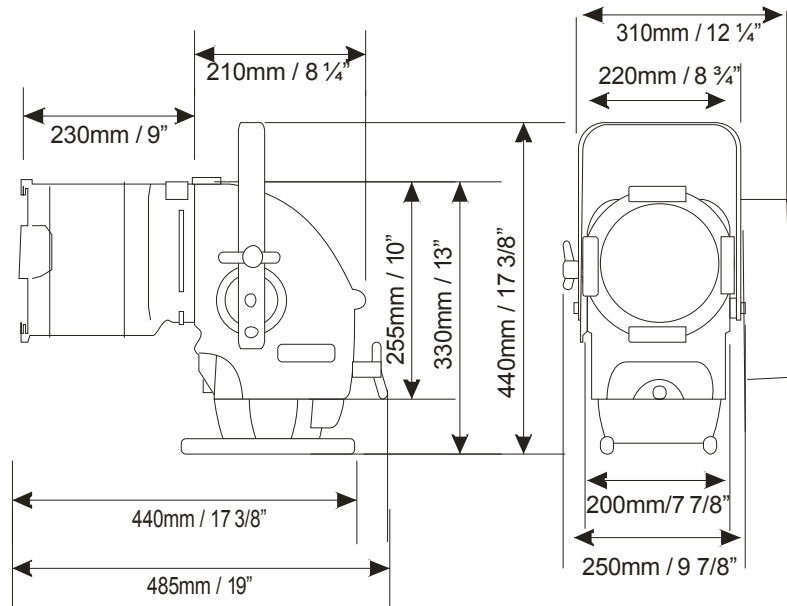
**Weight:** 9.1Kg

**Carton Size:** 650mm x 425mm x 300mm

**Colour frame size:** 185mm square

**Gobo size:** A, 75mm diameter image

**Included:** 1x colour frame, 1x fitted safety bond, 1x heat sink guard, 1x M12 suspension bolt set and instruction leaflet.



Selecon reserves the right to change the specifications without notice (September 2009).