



Product Specification Sheet

Pacific 5.5°-13° Very Narrow Zoomspot



A base down axial profile delivering a “cool” beam of light.

The beam is a crisp “white” light with little or no distortion, ideal for pattern projection and precise beam shaping.

An energy efficient luminaire with active heat management system delivers longer life for filters, shutters etc and lower energy consumption.

Features

Compact 5.5°-13° luminaire less than 1 metre long.

Cool light ‘white’ light. Over 80% of the heat is removed from the light beam by cold mirror and dissipated through the heatsink.

Base down lamp mounted axially in the reflector to maximise light collection.

Choice of 600W, 800W, 1000W or 150W MH or MSR 575W lamp modules (each supplied with 1m mains cable).

Accurate, simple & cool to use, lamp peak / flat adjustment.

Two pattern / iris mounting positions.

Independent rotating gate assembly.

Constructed from aluminium pressure die-castings and injection moulded Fortron plastic components.

Automatic disconnection of power on removal of lamp module.

Lamps: 240V

GKV600W 15,000 lumens	300 hours average life
GLB600W 13,000 lumens	1500 hours average life
800W 22,000 lumens	400 hours average life
GAD1000WBP 25,000 lumens	250 hours average life
GAB1000W BP 230V 25,000 lumens	250 hours average life

Order Codes

18PAC513/6 Pacific 5.5-13 Zoomspot, 600W, 800W
18PAC513/1 Pacific 5.5-13 Zoomspot, 1000W
18PACMSR513HR Pacific 5.5-13 Zoomspot, HR 575W MSR lamp module
18PACCDM513 Pacific 5.5-13 Zoomspot, CDM 150W/70W lamp module
19PACGHM Pacific gobo holder, M size
20IRIS Pacific Iris
20SM20 Lens safety mesh
20HC Suspension hook clamp

Approvals

CE marked.



Photometric Data

Tests conducted using standard 240V production lamps manufactured by Philips.

		Beam Diameter									
Beam angle	5.5 °, m	0	0.4	0.8	1.2	1.5	1.9	2.3	2.7	3.1	
Beam angle	13 °, m	0	0.9	1.8	2.7	3.6	4.6	5.5	6.4	7.3	
Throw Distance in m		0	4	8	12	16	20	24	28	32	
Lamp		Light Output in Lux									
240V BP 1000W	5.5°	Peak	41060	10265	4562	2566	1642	1141	838	642	
		Flat	41060	10265	4562	2566	1642	1141	838	642	
	13°	Peak	20120	5030	2236	1258	805	559	411	314	
		Flat	20120	5030	2236	1258	805	559	411	314	
240V GKV 600W	5.5°	Peak	41240	10310	4582	2578	1650	1146	842	644	
		Flat	41240	10310	4582	2578	1650	1146	842	644	
	13°	Peak	22872	5718	2541	1430	915	635	467	357	
		Flat	16000	4000	1778	1000	640	444	327	250	
80V 1200W	5.5°	Peak	60000	15000	6667	3750	2400	1667	1224	938	
		Flat	49200	12300	5467	3075	1968	1367	1004	769	
	13°	Peak	39500	7240	4389	2469	1580	1097	806	617	
		Flat	28960	7240	3218	1810	1158	804	591	453	
MSR 575 / 2	5.5°	Peak	235600	58900	26178	14725	9424	6544	4808	3681	
		Flat	118300	29575	13144	7394	4732	3286	2414	1848	
	13°	Peak	112500	28125	12500	7031	4500	3125	2296	1758	
		Flat	92800	23200	10311	5800	3712	2578	1894	1450	
CDM-T 150W/830	5.5°	Peak	27580	6895	3064	1724	1103	766	563	431	
		Flat	27580	6895	3064	1724	1103	766	563	431	
	13°	Peak	15655	3914	1739	978	626	435	319	245	
		Flat	15655	3914	1739	978	626	435	319	245	
CST 250 HR	5.5°	Peak	31250	7813	3472	1953	1250	868	638	488	
		Flat	31250	7813	3472	1953	1250	868	638	488	
	13°	Peak	13750	3438	1528	859	550	382	281	215	
		Flat	13750	3438	1528	859	550	382	281	215	

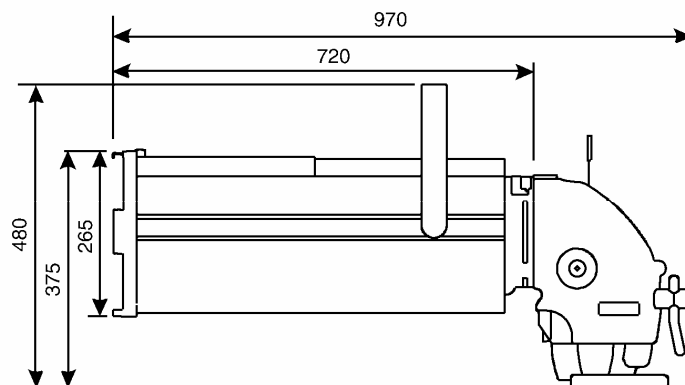
Physical Data

Weight: 16.7kg

Colour frame size: 245mm square

Gobo size: M, 50mm diameter image

Included: 1x colour frame, 1x fitted safety cable, 1x heat sink guard, 1x suspension bolt set and instruction leaflet



Selecon reserves the right to change the specifications without notice (September 2009).