



Product Specification Sheet

Pacific 23°-50° Zoomspot



A base down axial profile delivering a “cool” beam of light in a beam range adjustable between 23° to 50°.

The beam is a crisp “white” light with little or no distortion, ideal for pattern projection and precise beam shaping.

An energy efficient luminaire with active heat management system delivers longer life for filters, shutters etc and lower energy consumption.

Features

Produces more light than comparative beam range of traditional ellipsoidal profiles due to reflector design.

Cool light ‘white’ light. Over 80% of the heat is removed from the light beam by cold mirror and dissipated through the heat-sink.

Base down lamp mounted axially in the reflector to maximise light collection.

Choice of 600W, 800W, 1000W or 150W MH or MSR 575W lamp modules (each supplied with 1m mains cable).

Accurate, simple & cool to use, lamp peak / flat adjustment.

Two pattern / iris mounting positions + rotatable lens tube.

Constructed from aluminium pressure die-castings and injection moulded Fortron plastic components.

Height adjustable yoke.

Automatic disconnection of power on removal of lamp module.

Lamps: 240V

GKV600W	15,000 lumens	300 hours average life
GLB600W	13,000 lumens	1500 hours average life
800W	22,000 lumens	400 hours average life
GAD1000WBP	25,000 lumens	250 hours average life
GAB1000W BP 230V	25,000 lumens	250 hours average life

Order Codes

18PAC2650/6
Pacific 23-50 Zoomspot, 600W/800W

18PAC2650/1
Pacific 23-50 Zoomspot, 1000W

19PACGHA
Pacific gobo holder, ‘A’ size

20IRIS
Pacific iris

19PACSMFB
Pacific lens safety mesh

20HC
Suspension hook clamp

Approvals

CE marked.



Photometric Data

Tests conducted using standard 240V production lamps manufactured by Philips.

		Beam Diameter									
Beam angle	23 °, m	0	1.6	3.3	4.9	6.5	8.1	9.8	11.4	13.0	
Beam angle	50 °, m	0	3.7	7.5	11.2	14.9	18.7	22.4	26.1	29.8	
Throw Distance in m		0	4	8	12	16	20	24	28	32	
Lamp		Light Output in Lux									
240V BP 1000W	23°	Peak	9400	2350	1044	588	376	-	-	-	-
		Flat	6500	1625	722	406	-	-	-	-	-
240V 800W	50°	Peak	2900	725	322	-	-	-	-	-	-
		Flat	1600	400	-	-	-	-	-	-	-
240V 800W	23°	Peak	12400	3100	1378	775	496	344	253	-	-
		Flat	8000	2000	889	500	320	222	-	-	-
240V 800W	50°	Peak	3700	925	411	231	-	-	-	-	-
		Flat	1600	400	-	-	-	-	-	-	-
240V GKV 600W	23°	Peak	8000	2000	889	500	320	222	-	-	-
		Flat	5400	1350	600	338	216	-	-	-	-
240V GKV 600W	50°	Peak	2300	575	256	-	-	-	-	-	-
		Flat	1200	300	-	-	-	-	-	-	-
80V 1200W	23°	Peak	17450	4363	1939	1091	698	485	356	-	-
		Flat	10500	2625	1167	656	420	-	-	-	-
80V 1200W	50°	Peak	5150	1288	572	322	-	-	-	-	-
		Flat	2700	675	300	-	-	-	-	-	-
MSR 575 / 2	23°	Peak	23500	5875	2611	1469	940	653	480	367	-
		Flat	11000	2750	1222	688	440	306	-	-	-
MSR 575 / 2	50°	Peak	6300	1575	700	394	-	-	-	-	-
		Flat	3350	838	372	-	-	-	-	-	-
CDM-T 942 / 830 150W	23°	Peak	7000	1750	778	438	280	194	143	-	-
		Flat	5300	1325	589	331	212	-	-	-	-
CDM-T 942 / 830 150W	50°	Peak	2000	500	222	-	-	-	-	-	-
		Flat	1300	325	144	-	-	-	-	-	-
CDM-T 942 / 830 70W	23°	Peak	4300	1075	478	269	-	-	-	-	-
		Flat	2500	625	278	-	-	-	-	-	-
CDM-T 942 / 830 70W	50°	Peak	1200	300	-	-	-	-	-	-	-
		Flat	630	158	-	-	-	-	-	-	-
CST 250 HR	23°	Peak	7245	1811	805	453	290	201	148	-	-
		Flat	7125	1781	792	445	285	198	145	-	-
CST 250 HR	50°	Peak	2200	550	244	138	-	-	-	-	-
		Flat	1375	344	153	-	-	-	-	-	-

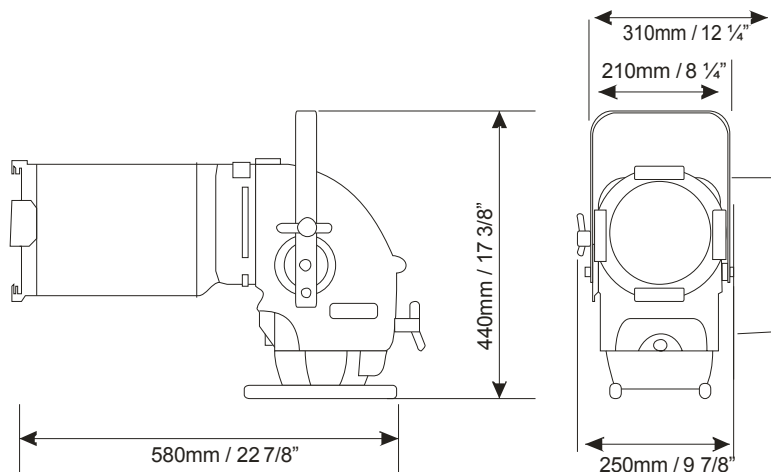
Physical Data

Weight: 8.7kg

Carton size: 650mm x 400mm x 260mm (estimated)

Colour frame size: 158mm x 158mm **Gobo size:** A, 75mm diameter image

Included: 1x colour frame, 1x fitted safety bond, 1x heat sink guard, 1x M12 suspension bolt set and instruction leaflet.



Selecon reserves the right to change the specifications without notice (September 2009).