



# Product Specification Sheet

## Pacific 14°-35° Zoomspot



**A base down axial profile delivering a “cool” beam of light with a beam range adjustable between 14° to 35°. The beam is a crisp “white” light with little or no distortion, ideal for pattern projection and precise beam shaping.**

NOTE: It is the same physical tube as the 12°-28° with a different optical arrangement to take the B size pattern. As the gate is wider, it makes more use of the available light, therefore a little more efficient.

### Features

Compact 14°-35° luminaire only 635mm long.

Cool light ‘white’ light. Over 80% of the heat is removed from the light beam by cold mirror and dissipated through the heatsink.

Base down lamp mounted axially in the reflector to maximise light collection.

Choice of 600W, 800W, 1000W or 150W MH or MSR 575W lamp modules (each supplied with 1m mains cable).

Accurate, simple & cool to use, lamp peak / flat adjustment.

Two pattern / iris mounting positions + rotatable lens tube.

Automatic disconnection of power on removal of lamp module.

Height adjustable yoke.

### Lamps: 240V

<b>GKV600W</b> 15,000 lumens	300 hours average life
<b>GLB600W</b> 13,000 lumens	1500 hours average life
<b>800W</b> 22,000 lumens	400 hours average life
<b>GAD1000WBP</b> 25,000 lumens	250 hours average life
<b>GAB1000W BP 230V</b> 25,000 lumens	250 hours average life

### Order Codes

**18PAC1435/6**  
Pacific 14-35 Zoomspot, 600W/800W

**18PAC1435/1**  
Pacific 14-35 Zoomspot, 1000W

**18PACTUBE1435**  
Pacific 14-35 Zoomspot lens tube

**19PACGHB**  
Pacific gobo holder, B size

**20IRIS**  
Pacific iris

**19PACSM1228**  
Lens safety mesh

**20HC**  
Suspension hook clamp

### Approvals

CE listed.



## Photometric Data

Tests conducted using standard 240V production lamps manufactured by Philips.

		Beam Diameter									
Beam angle		0	1.0	2.0	2.9	3.9	4.9	5.9	6.9	7.9	
Beam angle		0	2.5	5.0	7.6	10.1	12.6	15.1	17.7	20.2	
Throw Distance in m		0	4	8	12	16	20	24	28	32	
		Light Output in Lux									
Lamp											
240V BP 1000W	14°	Peak	16200	4050	1800	1013	648	450	331	-	
		Flat	16200	4050	1800	1013	648	450	331	-	
240V 800W	35°	Peak	4070	1018	452	-	-	-	-	-	
		Flat	4000	1000	444	-	-	-	-	-	
240V 800W	14°	Peak	18900	4725	2100	1181	756	525	386	-	
		Flat	17000	4250	1889	1063	680	472	347	-	
240V GKV 600W	35°	Peak	4750	1188	528	297	-	-	-	-	
		Flat	3900	975	433	-	-	-	-	-	
240V GKV 600W	14°	Peak	12500	3125	1389	781	500	347	-	-	
		Flat	11000	2750	1222	688	440	-	-	-	
80V 1200W	35°	Peak	3180	795	353	-	-	-	-	-	
		Flat	2300	575	256	-	-	-	-	-	
80V 1200W	14°	Peak	26500	6625	2944	1656	1060	736	541	414	
		Flat	26350	6588	2928	1647	1054	732	538	-	
MSR 575 / 2	35°	Peak	6550	1638	728	409	-	-	-	-	
		Flat	6250	1563	694	391	-	-	-	-	
MSR 575 / 2	14°	Peak	35000	8750	3889	2188	1400	972	714	547	
		Flat	25000	6250	2778	1563	1000	694	510	391	
CDM-T 942 / 830 150W	35°	Peak	8500	2125	944	531	340	236	-	-	
		Flat	6000	1500	667	375	-	-	-	-	
CDM-T 942 / 830 150W	14°	Peak	9750	2438	1083	609	390	-	-	-	
		Flat	9750	2438	1083	609	390	-	-	-	
CDM-T 942 / 830 70W	35°	Peak	2350	588	261	-	-	-	-	-	
		Flat	2350	588	261	-	-	-	-	-	
CDM-T 942 / 830 70W	14°	Peak	6300	1575	700	394	-	-	-	-	
		Flat	5400	1350	600	338	-	-	-	-	
CST 250 HR	35°	Peak	1500	375	-	-	-	-	-	-	
		Flat	1200	300	-	-	-	-	-	-	
CST 250 HR	14°	Peak	12813	3203	1424	801	513	356	261	200	
		Flat	12813	3203	1424	801	513	356	261	200	
CST 250 HR	35°	Peak	3075	769	342	-	-	-	-	-	
		Flat	2485	621	276	-	-	-	-	-	

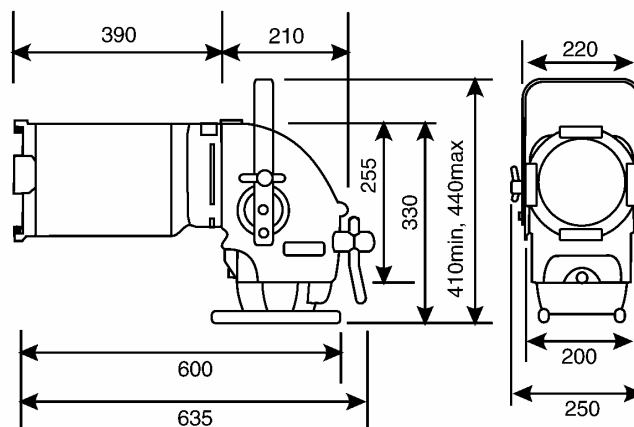
## Physical Data

Weight: 9.8Kg

Carton Size: 650mm x 400mm x 260mm (estimated)

Colour frame size: 185mm square Gobo size: B, 65mm diameter image

Included: 1x colour frame, 1x fitted safety bond, 1x heat sink guard, 1x M12 suspension bolt set and instruction leaflet.



Selecon reserves the right to change the specifications without notice (September 2009).