



# Product Specification Sheet

## Acclaim Axial Zoomspot



**A 600W variable beam profile with precise beam control and pattern projection from a high output beam.**

Safe and easy to use, the Acclaim Axial Zoomspot offers efficiency, strength and performance with a choice of two beam angle ranges.

### Features

Available in 18°-34° or 24°-44° beam angles.

Interchangeable lens tray between Medium and Wide versions.

Beam adjustable from smooth, flat beam for pattern projections to high intensity peak distribution for stage washes.

Unique easy to use and precise adjustable beam Peak-Flat mechanism.

Captive shutters offering wider degree of masking angles.

Heat control in – beam filter.

Slot provided for Iris or rotatable (35°) pattern holder.

'Swing-down' doors for easy access to lens cleaning.

Mains isolation via micro-switch when back is removed for lamp changes.

Constructed of pressure die-castings and aluminium extrusion.

### Approvals

Fully compliant to CE standards.

### Lamps 220V-240V

#### 600W

##### GKV

15,000 lumens 400 hours average life

##### GLB

13,000 lumens 1500 hours average life

### Order Codes

12ACX1834

Acclaim Axial Zoomspot 18° - 34°

12ACX2444

Acclaim Axial Zoomspot 24° - 44°

15ACIRIS

Acclaim iris

15ACGH

Acclaim rotatable pattern holder

15ACAX1834LT

Acclaim 18° - 34° lens tray

15ACAX2444LT

Acclaim 24° - 44° lens tray

15ACSM

Lens safety mesh

20HC

Suspension hookclamp

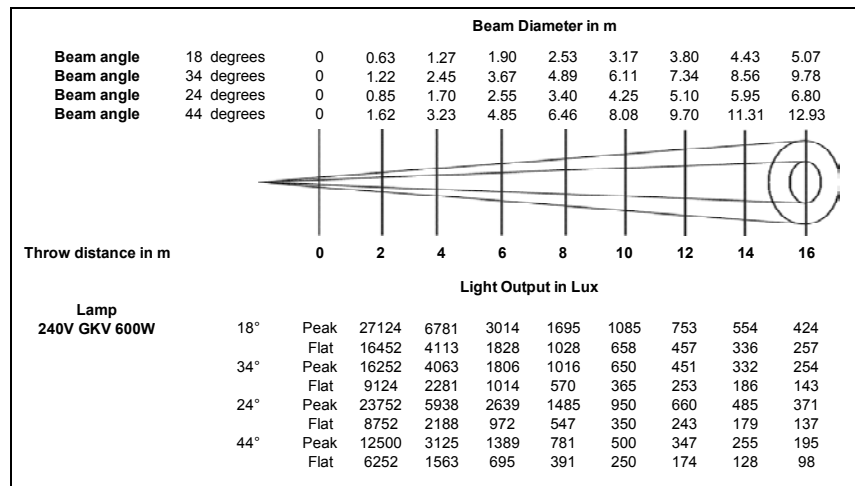
20SC

Safety bond



## Photometric data

Tests conducted using a standard GKV, 600W, 240V, lamp.



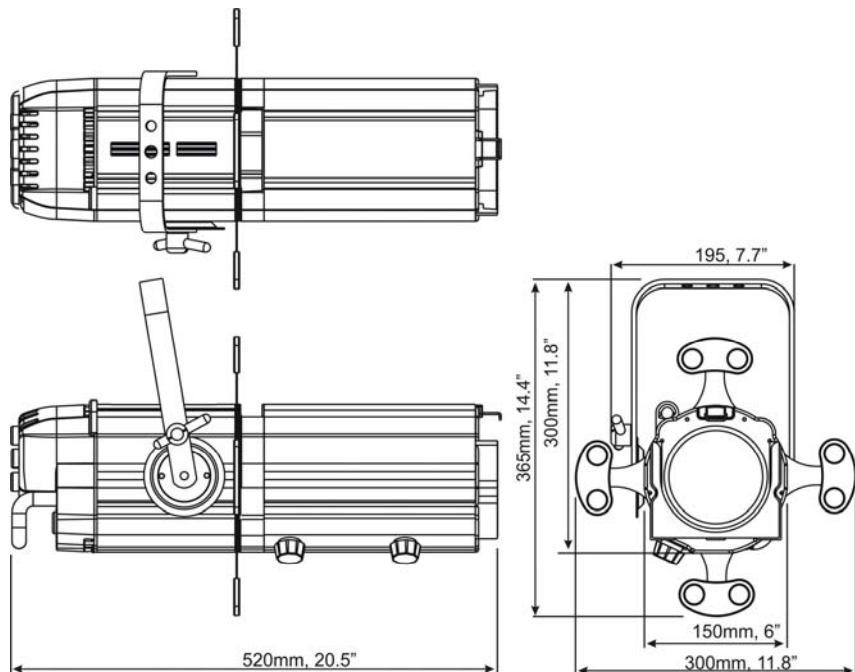
## Physical data

Weight: 5.6kg

Colour Frame Size: 125mm x 125mm

Pattern (Gobo) size: M

Included: 1x colour frame, 1x M12 nut & bolt set, instruction leaflet.



Selecon reserves the right to change the specifications without notice (September 2009).