



Product Specification Sheet

Arena PC



A 2.0kW / 2.5kW luminaire using a 200mm PC lens.

The beam has greater clarity with less spill than that of a Fresnel.

The Arena PC offers superior light output, strength and performance.

Features

Well controlled 'punchy' PC beam with little spill.

Wide range of beam angle from 4.5° to 60°.

Adjustable yoke balance point.

'Swing-down' door for easy access to lamp or cleaning. Isolates the mains supply when opened.

Choice of GY16 lamp socket for CP72, 2.0kW lamp or G22 lamp socket for CP91 2.5kW or CP92, 2.0kW lamp.

Smooth focus movement by 'posi-slide' focus system. No metal to metal contact.

Constructed of pressure die-castings and aluminium extrusion.

Effective airflow maintains lower body temperature.

Lamps: 220V-240V

GY16 lamp socket / 2000W

CP72
50,000 lumens 400 hours average life

G22 lamp socket / 2500W

CP91
65,000 lumens 400 hours average life

G22 lamp socket / 2000W

CP92
50,000 lumens 400 hours average life

Order codes

10SPC20GY16
Arena PC - GY16
10SPC25G22
Arena PC - G22

20BDSF2020 Barndoor
20SM20 Lens safety mesh
20HC Suspension hookclamp
20SC Safety bond

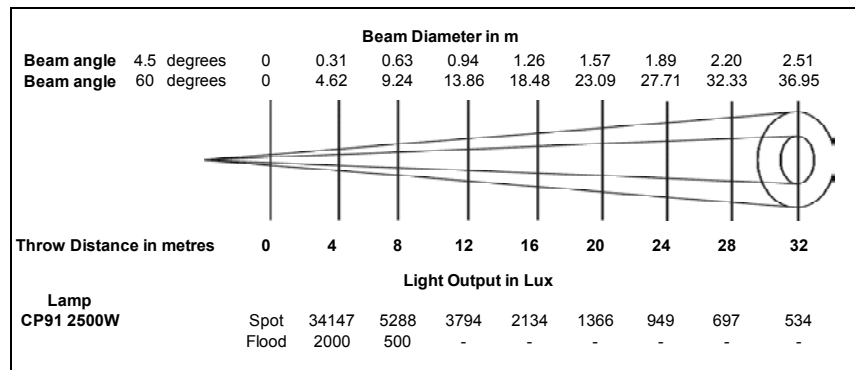
Approvals

Fully tested and compliant to CE standards.



Photometric data

Tests conducted using a standard CP91, 2500W, 240V, 65,600 lumens lamp.



Physical data

Weight: 10.2kg

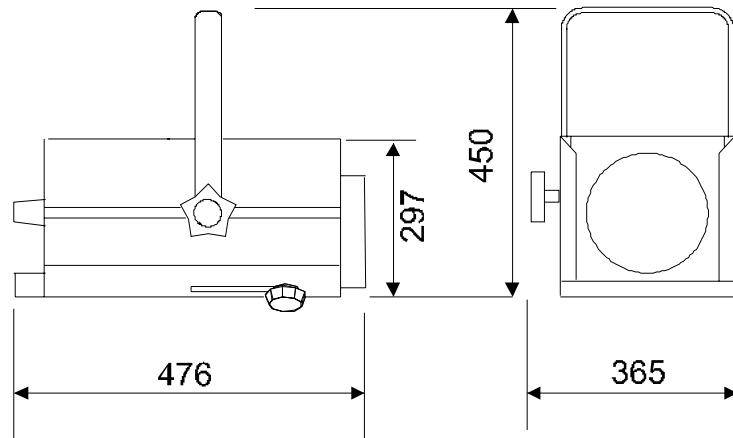
Packed Weight: 11.4kg

Carton Size: 310 x 375 x 630

Carton Size Cubic: 0.073

Colour Frame Size: 245mm x 245mm

Included: 1x colour frame, 1x M12 nut and bolt set and instruction leaflet.



Selecon reserves the right to change the specifications without notice (September 2009).