



Product Specification Sheet Acclaim PC



The Acclaim PC is built Selecon tough from aluminium extrusion and moulded engineering plastics – robust, dependable, safe and easy to rig backed by the unique Selecon 3-year warranty for entertainment luminaires.

The Acclaim PC is built Selecon tough from aluminium extrusion and moulded engineering plastics – robust, dependable, safe and easy to rig backed by the unique Selecon 3-year warranty for entertainment luminaires.

Features

Up to 50% more light output than comparative PCs.

A wide range of beam angles from 4°-64°.

Integrated safety bond, rated for the fitting; maximum free length = 650mm.

Light texturing on the rear of lens obscures filament imaging retaining the characteristic PC beam clarity.

Improved filter life through increased airflow.

Cooler focus operation due to the use of engineering plastics on front (colour frame mount) and rear.

Adjustable yoke balance point.

'Swing-down' side door for easy access to lamp or for cleaning. Micro-switch automatically isolates the mains power supply when opened. Lamps are quickly and safely removed using ejector mechanism.

Lamp life is enhanced through judder-free focus action of the captive lamp/reflector assembly which moves on Teflon-coated bearings.

Heat-insulated rear grab-handle which doubles as handy storage for the 1m cable length.

New barndoor design, cool to focus maintaining settings through unique hinge tension design - retro-fittable.

Focusing is fast and safe using the large rear grab handle and heat protected focus knob and filter holder.

Lamps

500W T/25, T/18
11,000 lumens 400hrs average life

500W M40
10,000 lumens 2000hrs average life

650W T/26, T/27
14,500 lumens 600hrs average life

Order codes

12ACPCMS	Acclaim PC
20BDMF	Barndoor
15ACSM	Lens safety mesh
20HC	Suspension Hookclamp

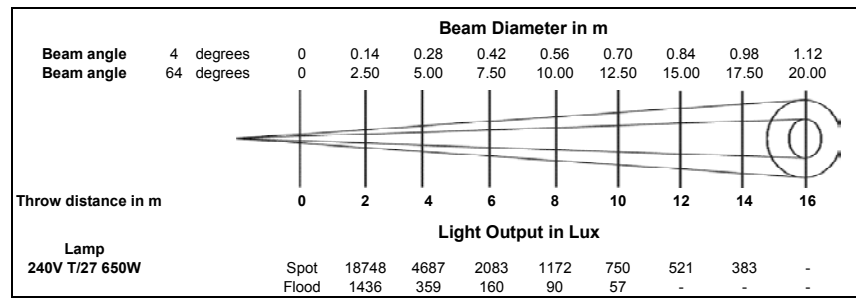
Approvals

CE marked for use by all, not just professionals.



Photometric data

Tests conducted using a standard T27, 650W, 240V, 15,000 lumens lamp.



Physical data

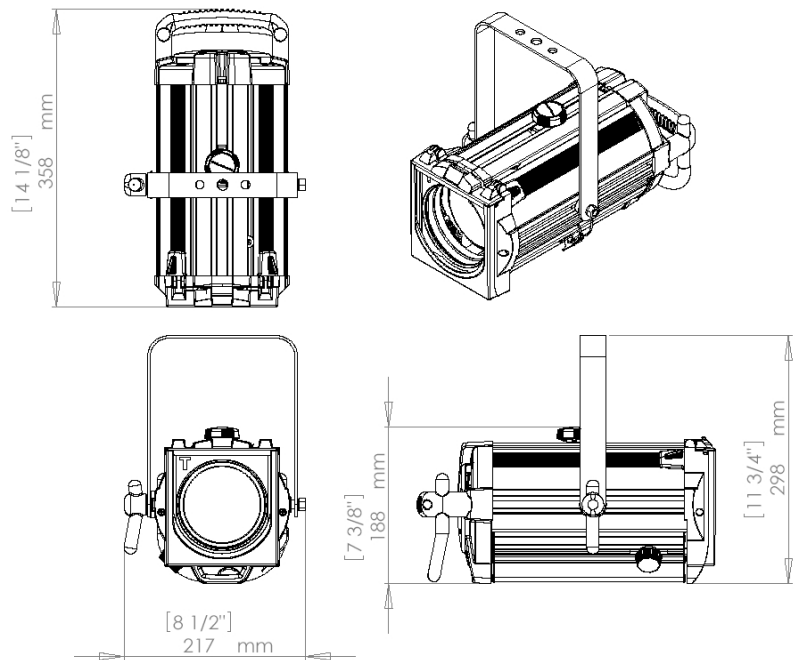
Weight: 3.5kg

Packed: 3.9kg

Carton Size: 460 x 225 x 175 Cubic: 0.018

Colour Frame Size: 125mm x 125mm

Luminaire with integrated safety bond supplied with: 1 x colour frame, 1 x M12 nut & bolt set and instruction leaflet.



Selecon reserves the right to change the specifications without notice (September 2009).