



Product Specification Sheet

Arena High Performance Fresnel



A 2.0kW / 2.5kW Fresnel luminaire using a 250mm lens. Beam quality is excellent with a well-controlled flat even field with a distinct “white-blue” tint.

The Arena High Performance Fresnel offers superior light output, strength and industry leading performance.

Features

Leading performance for a theatre Fresnel due to 250mm diameter lens.

Wide range of beam angles: 9° - 56°.

Integrated safety bond rated for the luminaire.

Flat even beam with very little spill allows clean masking with barndoor flaps.

Adjustable yoke balance point.

Swing-down door for easy access to lamp or lens.

“Cool Touch Technology” – rear mouldings and large rear grab handle.

Your choice of GY16 lamp socket for CP72, 2.0kW lamp or G22 lamp socket for CP91 2.5kW or CP92 2.0kW lamp.

‘Posi-slide’ focus system with no metal to metal contact provides smooth focus movement.

Effective airflow maintains lower body temperature.

Constructed of pressure die-castings and aluminium extrusion.

Lamps: 220V-240V

GY16 lamp socket / 2000W

CP72

50,000 lumens 400 hours average life

G22 lamp socket / 2500W

CP91

65,000 lumens 400 hours average life

G22 lamp socket / 2000W

CP92

50,000 lumens 400 hours average life

Order codes

10SF2520GY16

Arena H.P. Fresnel - GY16

10SF2525G22

Arena H.P. Fresnel - G22

20BDSF2025

Barndoor

20SM25

Lens safety mesh

20HC

Suspension hookclamp

Approvals

Fully tested and compliant to CE standards.



Photometric data

Tests conducted using standard Philips lamps.

		Beam Diameter in metres											
Beam angle		0	0.6	0.9	1.3	1.6	1.9	2.2	2.5	2.8	3.1		
9 °		0	0.6	0.9	1.3	1.6	1.9	2.2	2.5	2.8	3.1		
56 °		0	4.3	6.4	8.5	10.6	12.8	14.9	17.0	19.1	21.3		
Throw Distance in metres		0	4	6	8	10	12	14	16	18	20		
		Light Output in Lux											
Lamp	Base												
CP91 2500W	G22	Spot	24200	10756	6050	3872	2689	1976	1513	1195	968		
		Flood	1927	856	482	308	214	157	120	95	77		
CP92 2000W	G22	Spot	18810	8360	4703	3010	2090	1536	1176	929	752		
		Flood	1586	705	397	254	176	129	99	78	63		
CP72 2000W	GY16	Spot	19800	8800	4950	3168	2200	1616	1238	978	792		
		Flood	1432	636	358	229	159	117	90	71	57		
Field Angles for:													
CP91 2500W: 16° - 73°			CP92 2000W: 18° - 73°				CP72 2000W: 13° - 77°						

Physical Data

Weight: 8.7kg

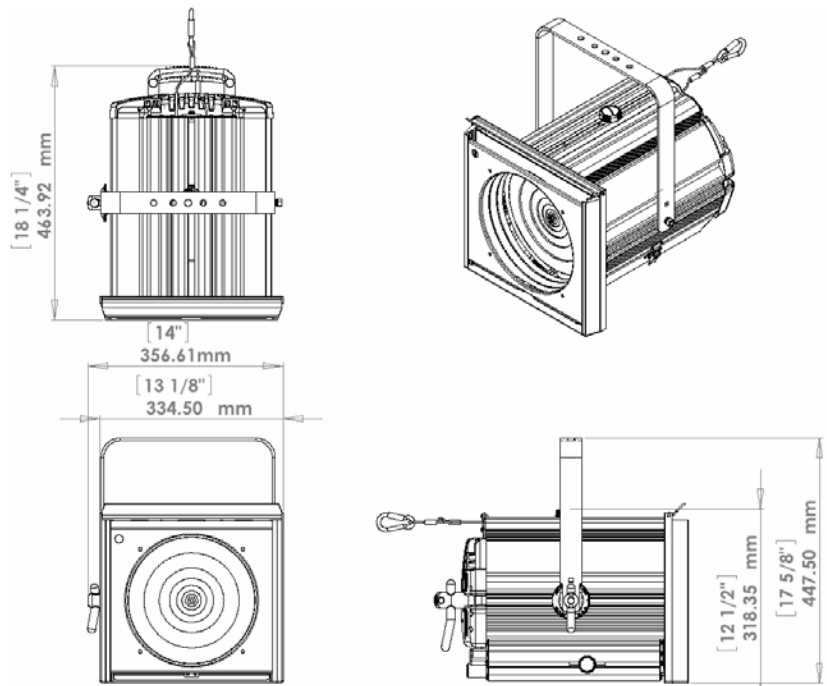
Packed Weight: 11.0kg

Carton Size: 310 x 375 x 520

Carton Size Cubic: 0.06

Colour Frame Size: 245mm x 310mm

Included: 1x colour frame, 1x M12 suspension bolt set, instruction leaflet.



Selecon reserves the right to change the specifications without notice (September 2009)

PHILIPS
Entertainment