



Product Specification Sheet

Rua Medium Throw Followspot



Utilising the latest short arc lamp technology, a very efficient optical system Rua provides more than TWICE the output delivered by conventional followspot designs. The Performer Series of Followspots define a new standard of performance, ergonomics and operator comfort. Simple to operate using the full length side and rear guide handles, adjustable luminaire balance and Selecon's unique clutch cone tilt and pan system.

Operator comfort is assured by the ergonomic control suite and exhaust system which removes the lamp heat away from the operator.

Features

Light output is over double that of similar wattage lamps with excellent even beam quality, adjustable to peak distribution as required. This unmatched performance is the result of utilising the latest in short arc technology, Selecon's light collection expertise and large multi coated lenses.

The Selecon Performer Series Followspots feature electronic flicker free power supply (110V–260V); six colour changer, single slide zoom and soft/hard focus control all in one integrated luminaire design.

Precision engineered pan / tilt cone system adjustable balance to suit operator's preference.

Ergonomic control layout minimises operator stress – comfortable and simple to operate.

Cool beam technology removes heat away from the operator while reducing stress on internal components.

Full suite of operator controls including – black-out iris; mechanical dowser, CTO filter, diffusion frost, and 2 cutters.

Integrated 6-colour changer.

Electronic variable light output, 60–100% to suit your show or application.

Integrated power supply, with elapsed hour meter.

Peak / flat beam light distribution control.

Pattern holder accessory.

Lamp

RUA model with serial number: 1-101

1400/800W MSR Mini Arc lamp (MSRMINI)

RUA models with serial numbers greater than those listed above (ie manufactured after February 2008):

Quick Fit 1400/800W MSR Mini Arc lamp (MSRMINIQF)

Order Codes

27FSRUA

Performer Series Followspot - Rua; supplied with winch-adjustable, tripod-based stand and lamp.

28FSPH

Pattern holder – B size

Power Supply

Electronic, flicker free

Input Voltage: 110V–260V. 47–63hz. 1400W

Dimming Range: 60–100%

Powerfactor: 0.98

Approvals

Compliant to CE standards.



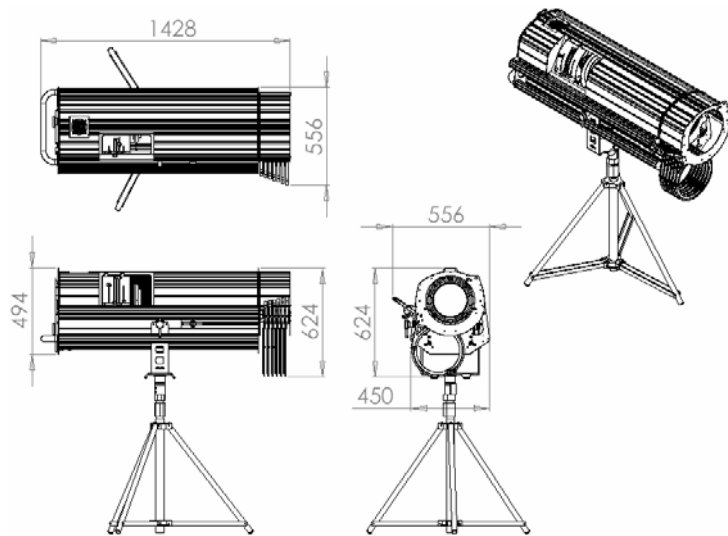
Photometric Data

Tests conducted using the Philips 1400W lamp:
 Peak candela at 8 - 6,300,000 Peak candela at 16° - 1,800,000
 1000lux at 9° - 56m 1000lux at 16° - 34m

		Beam Diameter						
Beam angle	9 degrees, m	0	3.1	6.3	9.4	12.6	15.7	
Beam angle	16 degrees, m	0	5.6	11.2	16.9	22.5	28.1	
Throw Distance		Metres	0	20	40	60	80	100
		Light Output in Lux						
Lamp								
Philips 1400W	9°	Peak	15750	3938	1750	984	630	
		Flat	11750	2938	1306	734	470	
	16°	Peak	4500	1125	500	281	180	
		Flat	3750	938	417	234	150	

Physical Data

Luminaire Weight: 67.9kg
 (includes colour changer but not the stand)



Selecon reserves the right to change the specifications without notice (September 2009).