



# Product Specification Sheet

## Pacific Followspot



**A compact sized, cool beam followspot with a wide choice of light sources making it the ideal choice for schools, smaller theatres and entertainment venues as well as production companies.**

---

### Features

---

Choice of light sources to meet the throw requirements of most venues

---

600W TH, 220-240V – 1000 lux at 18.5m

---

800W TH, 220-240V – 1000 lux at 20m

---

1000W TH, 220-240V – 1000 lux at 20m

---

1200W 80V including electronic power supply, 220-240V – 1000 lux at 23m

---

MSR hot restrike 575W, flicker free operation, 90–240V – 1000 lux at 39m

---

Cool beam and all the operational advantages of Selecon's Pacific heat management technology.

---

Adjustable iris diaphragm with black out and protective guard.

---

Braced yoke and platten spigot ensures smooth operation of the followspot.

---

The yoke balance point can be adjusted to suit the operator's requirements.

---

NO Fans, other than that required for the MSR power supply.

---

Ergonomic guide handles which position the hand for easy operation of the iris and colour changer.

---

Ease of maintenance – slide out iris; top panel slide access to lens; removable lamp module and wiring.

---

---

### Order Codes

---

**18PACFS/6**

Pacific Followspot 600W/800W TH

**18PACFS/1**

Pacific Followspot 1000W TH

**18PACFS80V**

Pacific Followspot 1200W 80V power supply

**18PACFSMSR**

Pacific Followspot – MSR Hot Restrike with universal power supply

**18PACFCCH**

4-colour changer

**19PACFSGH**

Pattern holder – A size

**STDFS**

Pacific Followspot stand

20SFCF2020

Additional colour frame

---

### Approvals

---

Compliant to CE standards.

---



## Photometric Data

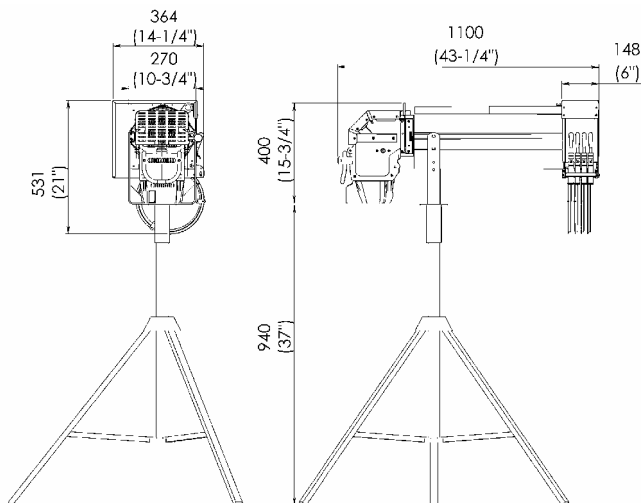
Tests conducted using standard Phillips lamps.

		Beam Diameter in m											
Beam angle	7.5	0	0.8	1.3	2.0	2.6	3.3	3.9	4.6	5.2	5.9		
Beam angle	19	0	2.0	3.3	5.0	6.7	8.4	10.0	11.7	13.4	15.1		
Throw Distance in metres	0	6	10	15	20	25	30	35	40	45			
		Light Output in Lux											
240V GKV 600W	7.5°	Peak	9600	3456	1536	864	553	384	282	216	171		
		Flat	9600	3456	1536	864	553	384	282	216	171		
	19°	Peak	4650	1674	744	419	268	186	137	105	83		
		Flat	1750	630	280	158	101	70	51	39	31		
240V GKV 800W	7.5°	Peak	11400	4104	1824	1026	657	456	335	257	203		
		Flat	11400	4104	1824	1026	657	456	335	257	203		
	19°	Peak	5750	2070	920	518	331	230	169	129	102		
		Flat	2760	994	442	248	159	110	81	62	49		
240V BP 1000W	7.5°	Peak	11120	4003	1779	1001	641	445	327	250	198		
		Flat	11120	4003	1779	1001	641	445	327	250	198		
	19°	Peak	5700	2052	912	513	328	228	168	128	101		
		Flat	3050	1098	488	275	176	122	90	69	54		
80V 1200W	7.5°	Peak	15420	5551	2467	1388	888	617	453	347	274		
		Flat	15420	5551	2467	1388	888	617	453	347	274		
	19°	Peak	8050	2898	1288	725	464	322	237	181	143		
		Flat	6000	2160	960	540	346	240	176	135	107		
MSR 575 / 2	7.5°	Peak	51500	18540	8240	4635	2966	2060	1513	1159	916		
		Flat	51500	18540	8240	4635	2966	2060	1513	1159	916		
	19°	Peak	19700	7092	3152	1773	1135	788	579	443	350		
		Flat	7500	2700	1200	675	432	300	220	169	133		
MSR 575W HR	7.5°	Peak	42100	15156	6736	3789	2425	1684	1237	947	748		
		Flat	42100	15156	6736	3789	2425	1684	1237	947	748		
	19°	Peak	17700	6372	2832	1593	1020	708	520	398	315		
		Flat	7500	2700	1200	675	432	300	220	169	133		

## Physical Data

**Luminaire Weight:** 19.25kg    **Stand Weight:** 5.9kg    **Colour Changer Weight:** 3.8kg

**Included:** adjustable iris; front and rear guide handles; braced yoke and single colour frame.



Selecon reserves the right to change the specifications without notice (September 2009).