



Product Specification Sheet

Lui Flood



Selecon's Acclaim and Aurora ranges have a well-deserved reputation for delivering filter life up to double of that of some cyc floods.

Further developments of our heat exhaust /control system has resulted in LUI delivering industry leading filter life for their class and size.

Designed to withstand the most gruelling rental and production work and engineered from precision sheet metal and aluminium extrusions.

Features

The LUI range uses the 1000W K4 or the 625W P2/10 R7 (189mm) lamps.

Makes a very effective groundrow. Simply reverse the colour cassette by removing the two screw pivot hinges. Add screw jack feet for adjustment. See separate LUI Groundrow specification sheet for conversion details.

Make your own battens using the LUI slot lock joint system that allows a number of units to be locked together.

Re-lamp without having to remove the filter or break focus.

Filter holder is held captive by spring hinged extruded cover that also blocks unwanted light spill.

One handed operation only required to focus, change filters etc.

Mains Power Disconnect – a microswitch isolates the mains supply when opening to re-lamp (phase and neutral) protecting against a student or technician inserting a lamp into a live socket.

Safety glass ensures that in the unlikely event of a lamp exploding that the remains are held captive within the luminaire.

Shape the beam and contain glare with the four-door barndoor accessory – fits all models.

Lamps: 220V-240V

| | | |
|-------------------|---------------|-------------------------|
| 1000W K4 | 24,000 lumens | 2000 hours average life |
| 625W P2/10 | 16,250 lumens | 150 hours average life |

Order Codes

10LUIFLD1
LUI Flood 1 – 1000W

10LUIFLD3
LUI Flood 3-way Batten – 1000W, cable tails

10LUIFLD3G
LUI Flood 3-way Batten – 1000W, connector terminals

10LUIFLD4
LUI Flood 4-way Batten – 1000W, cable tails

10LUIFLD4G
LUI Flood 4-way Batten – 1000W, connector terminals

15HLGDSF
Groundrow screw jack feet (set of 2)

15HUIBD
Barndoor – 4 leaf

15HLJ
Joiner set (of 2) slot locks

15HLCF
Spare colour frame

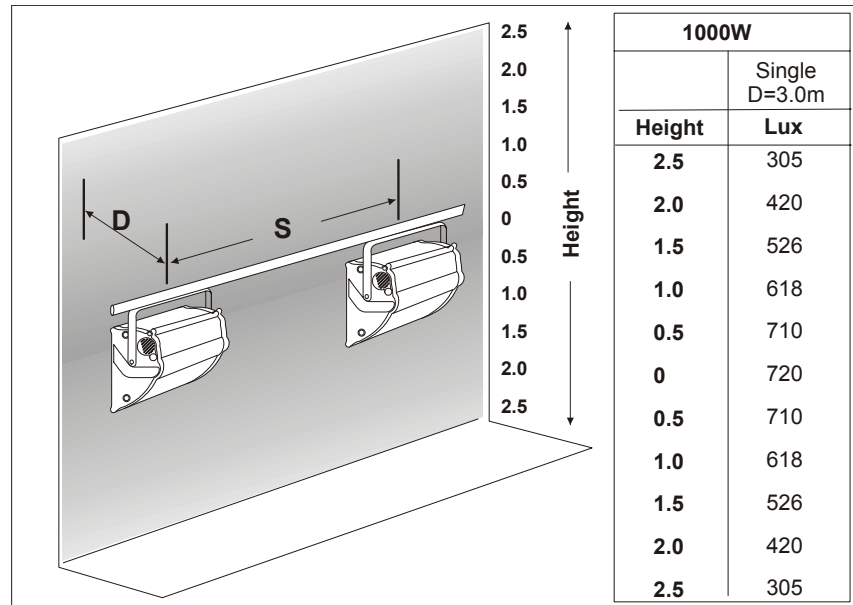
Approvals

Fully tested and compliant to CE standards.



Photometric Data

Tests conducted using standard R7 189mm double-ended linear lamps: 1000W 240V.

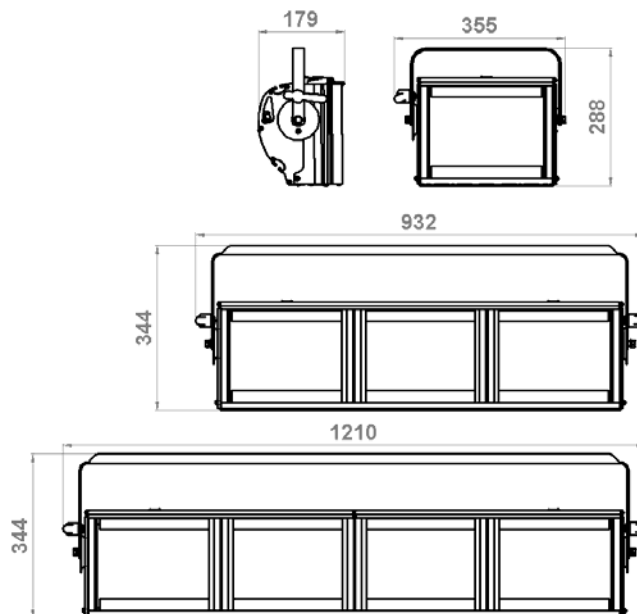


Physical Data

| | Single | 3-way | 4-way |
|----------------|--------|--------|-------|
| Weight: | 4.1kg | 10.7kg | 14kg |

Colour frame size: 265mm x 203mm

Included: 1x colour frame per cell, 1x M12 suspension bolt set and instruction leaflet.





Connector Panels and Options

With the connector options to suit your needs:

Standard

Separate silicon rubber cable tails, with protected entry and clamping gland.

Connector Model

Comes fitted with terminal box to which you wire your connector requirements.

Connector boxes

Mounted beside the termination box with wiring running through side panel knock outs for – multi connectors, cable tails, socket outlets - to fully utilise multi core cable circuit capacity.

Standard Connector Mounting options include:

2 x 32mm cable glands fitted to the terminal box cover plate – supplied as standard.

19 pin Socapex Mount Box (connector not supplied).

Order Code: 15H LCS

10 pin Wieland Mount Box (connector not supplied).

Order Code: 15HLCW10

16 pin Wieland Mount Box (connector not supplied).

Order Code: 15HLCW16

15A UK type Socket Outlet Mount Box (required for Spec of outlet – not supplied).

Order Code: 15HLCUK

10A Aust/NZ 10A Socket Outlet Mount Box (PDL type 40 – supplied).

Order Code: 15HLCANZ

3 and 4 flexible cable tail termination boxes c/w cables.

Order Codes:

3 circuit – 15HLC3F

4 circuit – 15HLC4F

Selecon reserves the right to change the specifications without notice (September 2009).