



Product Specification Sheet Selecon Display Profile



The new Selecon Display Profile delivers up to 3 times the light output of the Aureol BeamShaper with accurate shaping of the beam and precise pattern / logo projection.

A sophisticated lighting instrument of timeless appearance.

The Display Profile delivers on Selecon's brand promise for performance (efficient optical system; high quality pattern projections); precision (accurate beam shaping; locking focus adjustments) and simplicity (intuitive operation).

Allen key lock offs and reference scales for all adjustments offers the means to effectively assure the integrity of the original lighting design.

Colours



White - PANTONE® 11-4800 - Blanc de Blanc.

Features

High light output for a luminaire of this size, ideal for pattern projection and precise illumination.

Engineered from precision aluminium pressure die-castings.

Two zoom optical systems: 15°–35° and 25°–50°.

All adjustable parameters are lockable using allen key tool, including:

- Pan and tilt
- Rotatable lens tube - +/- 45°
- Zoom lens adjustments
- Shutters

Reference scales for all adjustments.

Internal pattern holder with external image alignment.

Shutters can be clamped in position.

Two front accessory slots (approximately 93mm diameter) for coloured glass; plastic filter holder; animation motor drive.

Choice of light sources

- Low Voltage Osram Halostar Starlite tungsten halogen 12V – 90W with integral dimmer (4,000hrs average life).

- Philips Mini-Master 20W CDM (warm white; 12,000hrs average life).

- Philips Mini-Master 35W CDM (warm white; 12,000hrs average life).

Each luminaire is supplied with its appropriate lamp.

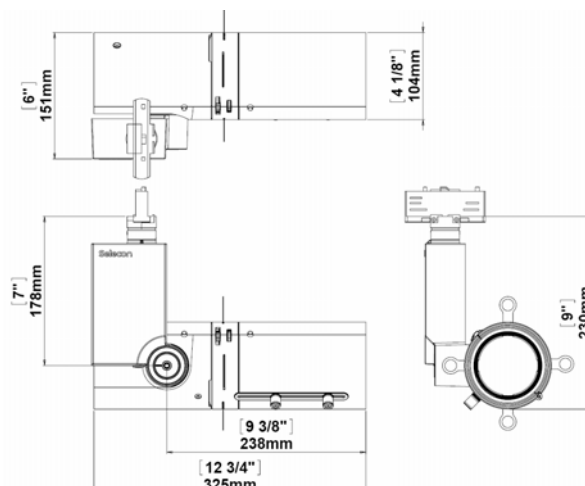
Mounting options

Choice of ceiling rose mount; three circuit track adapter (European standard) or to specification; hook clamp or half coupler.



Physical data

Weight: 2.56kg





Performance data

SDP 15°-35° model:

		Beam Diameter in metres									
Beam angle	15 °	0	0.8	1.1	1.3	1.6	1.8	2.1	2.4	2.6	
Beam angle	35 °	0	1.9	2.5	3.2	3.8	4.4	5.0	5.7	6.3	
Throw distance in metres		0	3	4	5	6	7	8	9	10	
		Central Illumination in Lux									
Lamps:											
Philips MiniMaster	15°	2180	1226	785	545	400	307	242	196		
20W CDM - Tm 830	26°	910	512	328	228	167	128	101	82		
	35°	466	262	168	117	86	66	52	42		
Philips MiniMaster	15°	2670	1502	961	668	490	375	297	240		
35W CDM - Tm 930	25°	1456	819	524	364	267	205	162	131		
	35°	823	463	296	206	151	116	91	74		
Osram Halostar Starlite	15°	1845	1038	664	462	339	259	205	166		
12V 90W	26°	1150	647	414	288	212	162	128	103		
	35°	583	328	210	146	107	82	65	52		

SDP 25°-50° model:

		Beam Diameter in metres									
Beam angle	25 °	0	1.3	1.8	2.2	2.7	3.1	3.5	4.0	4.4	
Beam angle	50 °	0	2.8	3.7	4.7	5.6	6.5	7.5	8.4	9.3	
Throw distance in metres		0	3	4	5	6	7	8	9	10	
		Central Illumination in Lux									
Lamps:											
Philips MiniMaster	25°	855	481	308	214	157	120	95	77		
20W CDM - Tm 830	35°	476	268	171	119	87	67	53	43		
	50°	258	145	93	65	47	36	29	23		
Philips MiniMaster	25°	1526	858	549	382	280	215	170	137		
35W CDM - Tm 930	35°	870	489	313	218	160	122	97	78		
	50°	530	298	191	133	97	75	59	48		
Osram Halostar Starlite	25°	686	385	247	171	126	97	76	62		
12V 90W	35°	622	349	224	156	114	88	69	56		
	50°	242	136	87	61	44	34	27	22		

Order codes

Lamp: 12V 90W tungsten halogen

Track Mounted	15°-35° model	25° -50° model
White	SDP1535THT01	SDP2550THT01
Silver / Grey	SDP1535THT02	SDP2550THT02
Black	SDP1535THT03	SDP2550THT03
Ceiling Mount Rose	15°-35° model	25° -50° model
White	SDP1535THC01	SDP2550THC01
Silver / Grey	SDP1535THC02	SDP2550THC02
Black	SDP1535THC03	SDP2550THC03



Lamp: 20W metal halide

Track Mounted	15°-35° model	25° -50° model
White	SDP1535MH20T01	SDP2550MH20T01
Silver / Grey	SDP1535MH20T02	SDP2550MH20T02
Black	SDP1535MH20T03	SDP2550MH20T03
Ceiling Mount Rose	15°-35° model	25° -50° model
White	SDP1535MH20C01	SDP2550MH20C01
Silver / Grey	SDP1535MH20C02	SDP2550MH20C02
Black	SDP1535MH20C03	SDP2550MH20C03

Lamp: 35W metal halide

Track Mounted	15°-35° model	25° -50° model
White	SDP1535MH35T01	SDP2550MH35T01
Silver / Grey	SDP1535MH35T02	SDP2550MH35T02
Black	SDP1535MH35T03	SDP2550MH35T03
Ceiling Mount Rose	15°-35° model	25° -50° model
White	SDP1535MH35C01	SDP2550MH35C01
Silver / Grey	SDP1535MH35C02	SDP2550MH35C02
Black	SDP1535MH35C03	SDP2550MH35C03

Accessories

SDPCF - Colour frame for plastic filters

SDPSDG - Diffusion glass

SDPUV - UV glass filter

SDPGF - Glass colour filter - primary blue, green, red and yellow

SDPDF - Glass dichroic colour filter

Pattern size: E

Outside diameter: 37.5cm

Image area: 28mm

To achieve the best results with your pattern projection:

- always use black matt finish patterns as these reduce internal light reflections.

- for custom / text logos please ensure the design is inside the 28mm diameter area.

Selecon reserves the right to change this product specification without notice (October 2009).