



Product Specification Sheet

Aureol BeamSpot



The Aureol BeamSpot is a specialist lighting tool for display and commercial lighting applications. Utilising the well-known and easily available MR 16 range of 12V lamps the unit provides excellent light control and features.

Features

Hinged opening body for easy re-lamping, accessory mounting and filter installation.

Engineered from aluminium pressure die castings and injected moulded engineering plastic, no exposed screws or sharp edges.

All wiring internal to yoke and body.

Glare control - lamp mounting position to minimise glare.

Positive pan and tilt adjustment with screw lock off.

Integrated accessory and two filter mounting slots – to carry colour filter 50mm round or square, one of which can be up to 4mm thick, diffuser or honeycomb grill as well as anti glare snoot, barn-door or BeamShaper lens tube.

Approvals

CE and ETL / cETL listed to UL Standard 1573.

Power supplies

Integrally mounted transformer.

Copper wound for cost saving. Maximum 50W.

Electronic – light weight, energy efficient and provides voltage regulation. Maximum 75W.

Colours



Black **White** **Silver Grey**

White - PANTONE® 11-4800 - Blanc de Blanc.

Mounting options

Universal track three circuit track adapter.

Ceiling mount plate, ridged 80mm diameter x 20mm deep.

1.0m cable tail from top of yoke mount spindle. Hook clamp (C type) for 48mm OD pipe.

Other track adaptors (including North America – Nokia, Lightolier) able to be fitted.



Ceiling rose mount



Track adapter

Key operational features

A: Pan locking nut. This is used to set the tension required to pan the spot. The spot can be locked into position by tightening this nut.

B: Spot mounting shaft. This is used to attach the BeamSpot to a track adaptor, ceiling base, or other mounting option. An M13 thread is required to attach to this shaft.

C: Pan locking screw. This 'M4 grub-screw' allows the Pan locking nut to be permanently locked at the desired tension, or locked position.

D: Yoke.

E: Tilt locking screw. This 'M4 grub-screw' allows the spot tilt position to be permanently locked.

F: Lamp compartment locking knob.

G: Accessory locking screw. This 'M4 grub-screw' allows accessories such as the BeamShaper or barndoor to be locked in a preset position.

H: Lamp, colour and accessory slots.

I: BeamShaper locating dimple. This dimple mates with a ball bearing on the BeamShaper, giving you a physical indication that it is in the in line position.

J: Lamp compartment lid.

K: Ventilation slots.

L: Mounting locking screw. This 'grub-screw' is used to lock the M13 component that screws into the spot mounting shaft in order to prevent movement.

M: Dimmer knob for dimming option, this is only available with the electronic transformer version.

N: Ventilation slots.

O: Tilt locking knob. This knob is used to adjust the tilt angle.

P: Lamp and filter retaining spring. This spring is used to hold the lamp and colour filters into position.

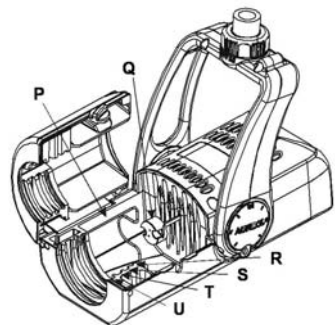
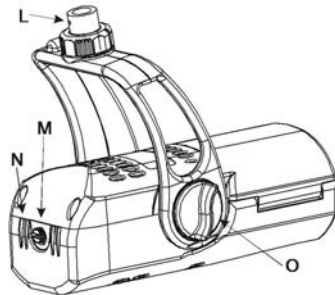
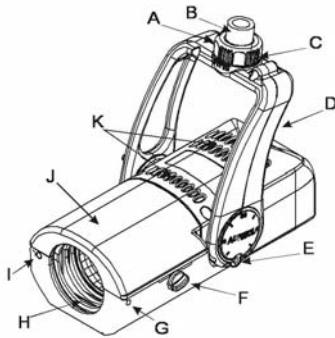
Q: Lamp base. GU5.3 type lamp base with high temperature wires.

R: Lamp slot. This is the rear-most slot provided and will accept standard 50mm diameter 12V low voltage halogen lamps.

S: Dichroic filter colour slot. This slot will accept any dichroic colour media up to 2.5mm thick. The colour media used should be 50mm, either round or square.

T: Thick glass slot. This slot will accept glass media, honeycomb grill (such as UV filters or beam spreader filters) that is less than 4mm thick.

U: Accessory slot. This front-most slot is designed to take accessories such as the BeamShaper, barndoor or snoot.



BeamShaper accessory - open

Accessories

BeamShaper optical system accessory turns any Aureol BeamSpot into a high performance projection spotlight for precise shaping of the beam using the four integral shutters or pattern projection using stainless steel or glass "gobo" images.

Barndoor.

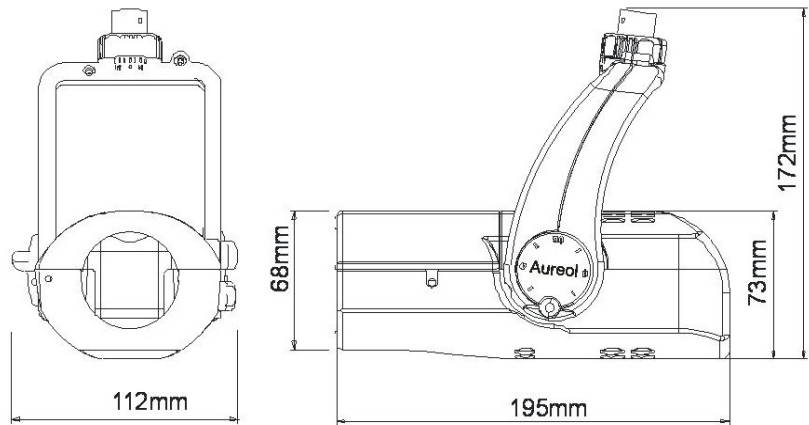
Snoot.

Animation disc motor.

U.V. glass filter – 50mm / 2" square.



Physical data



Order codes and weights

	Copper Transformer (50W max.)	Electronic Transformer (75W max.)	Electronic Transformer with on-board dimmer (75W max.)
Yoke only for 13mm connection	ARLCY## 1.95kg	ARLEY## 1.10kg	ARLEDY## 1.10kg
Track Mount Eutrack 3crt	ARLCT## 2.00kg	ARLET## 1.15kg	ARLEDT## 1.15kg
Ceiling Base 80mm diameter	ARLCC## 2.00kg	ARLEC## 1.15kg	ARLEDC## 1.15kg
1.0m mains cable	ARLCF##	ARLEF##	ARLEDF##
1.0m mains cable + hook clamp	ARLCFH##	ARLEFH##	ARLEDFH##
Accessories	BeamShaper Body ARLBS## 0.7kg	Barndoor ARLBD## Barndoor – white exterior/ black interior ARLBD01	Snoot ARLSN##

Please replace ## with the 2 digit code representing the colour finish required:
01 = white, 02 = silver grey, 03 = black.

Selecon reserves the right to change this product specification without notice (August 2009).