



Product Specification Sheet

Astral CDM Fresnel



Adjustable beam (7°–60°) display luminaire for controlled illumination using the long life 70W or 150W CDM lamp. The cone of light has a soft edge, easily blended with adjacent beams to provide even illumination or a dramatic highlight in spot focus.

Glare is minimised within the luminaire design and the beam can be shaped using the 4-door barndoor accessory.

The Astral Fresnel designed for permanent installation features extruded suspension yoke and machined locking clamps (allen key) for tilt and focus adjustment, removing the need for unsightly knobs and handles.

Features

High performance display luminaire, modern architectural design for permanent installations with machined allen screw clamps to secure all focus adjustments, reference scales for recording of tilt and focus settings.

Ceiling rose mount with pan lock (allen key) and reference scale.

Beam adjustable from a well defined high output spot of 7° to medium flood beam angles (60° maximum).

Integrated electronic power supply or remote option.

Easy access for re-lamping without altering focus setting, via swing down door.

Long life (9000hrs+), efficient, single ended metal halide lamp. Choice of colour temperature – 3,000°K or 4,000°K.

Add colour, dichroic glass, theatre filters or colour scrollers.

Approvals

CE, C-tick and EMC.

Colours



Black

White

Silver Grey

White = PANTONE® 11-4800
Blanc de Blanc

Power current

For integral electrical power supply.

Current consumption for 150W 220V-240V units – 0.70 amp.

Current consumption for 70W 220V-240V units – 0.36 amp.

The current in the first minutes is lower than the nominal current due to less lamp power at the start up. The start-up current is therefore below the operating current and as such not a design factor that has to be considered.

Lamps

CDM 70W 3000K.
CDM 70W 4000K.

CDM 150W 3000K.
CDM 150W 4000K.

Luminaire supplied with lamp, refer order codes.



Mounting options

Site fixing through the yoke.

Ceiling rose mount with pan lock and reference scale.

Track adapter – 3 circuit international European standard or to customer's specification – cable termination only, luminaire requires mechanical track adapter fitted for suspension.



Ceiling rose mount

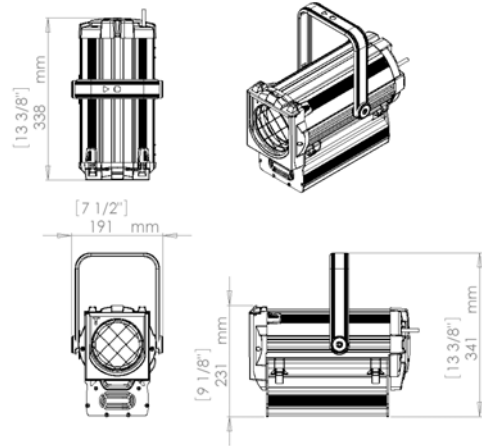


Track adapter



Physical data

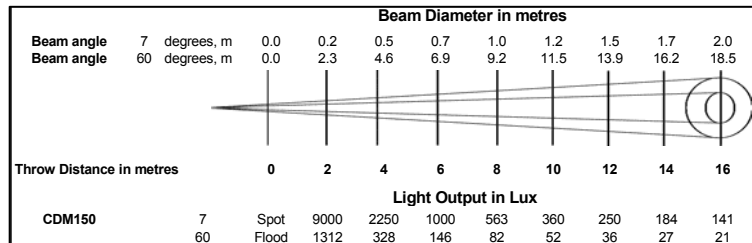
Weight: 4.4kg.
Colour Frame Size: 125mm x 125mm.
Included: 1x colour frame and instruction sheet.



NOTE: If using track mount option please note the luminaire will be fitted with a mechanical track adaptor with the mains cable fitted with the power track adapter.

Photometric data

Tests conducted using a standard single ended CDM 150W 4000°K metal halide 240V lamp.



Conversion Factors for:

CDM 150W/830 3000°K lamp light output in Lux : multiply above CDM150 figures by x 0.70.
 CDM 70W/830 3000°K lamp light output in Lux : multiply above CDM150 figures by x 0.52.
 CDM 70W/942 4000°K lamp light output in Lux : multiply above CDM150 figures by x 0.50.

Order codes

	70W	150W
Ceiling rose & 3000K lamp	ASTFRMH70C##L83	ASTFRMH150C##L83
Ceiling rose & 4000K lamp	ASTFRMH70C##L94	ASTFRMH150C##L94
Track mount & 3000K lamp	ASTFRMH70T## L83	ASTFRMH150T##L83
Track mount & 4000K lamp	ASTFRMH70T## L94	ASTFRMH150T##L94
Yoke mount & 3000K lamp	ASTFRMH70Y## L83	ASTFRMH150Y##L83
Yoke mount & 4000K lamp	ASTFRMH70Y## L94	ASTFRMH150Y##L94

Please replace ## with the 2 digit code representing the colour finish required:
 01 = white, 02 = silver grey, 03 = black.

Accessories

Barndoor – black	20BDMF
Barndoor – white exterior / black interior	20BDMFWB
Barndoor – grey exterior / black interior	20BDMFGB
Lens safety mesh	15ACSM

Selecon reserves the right to change this product specification without notice (August 2009).