



Product Specification Sheet

Astral Axial CDM Ellipsoidal



The Astral Axial Zoomspot – combines a high quality projector-like beam with a long life CDM display lamp with a peak beam of 135,000cd at 18° ensuring a high output precise beam and long operating life.

The greater efficiency of the latest compact arc discharge lamps, axial configuration and custom lens designs results in two variable zoom fixtures that deliver leading performance with a beam that is precise, even and simply adjusted from a peak to flat distribution.

Features

Long life (9000hrs+), efficient, single ended CDM ceramic type discharge lamp 70W or 150W, 3,000°K or 4,000°K colour temperature.

Available in 18°-34° or 24°-44° beam angles, interchangeable without the use of tools.

Electronic power supply only.

Slot provided for Iris or rotatable (35°) pattern holder & motorised pattern rotator.

'Swing-down' doors for easy access to lamp or lens cleaning. Isolates the mains supply when opened.

Captive lamp/reflector and lens focus system moves on brass bearing provides smooth movement.

Track and ceiling mount options.

Approvals

CE.

Mounting options

Site fixing.

Track adapter – 3 circuit international European standard or to customer's specifications – cable termination only, luminaire requires mechanical track adapter fitted for suspension.

Power current

For electrical power supply:

Current consumption for 150W 220-240V units - 0.70 amp.

Current consumption for 70W 220-240V units - 0.36 amp.

The current in the first minutes is lower than the nominal current due to less lamp power at the start up. The start-up current is therefore below the operating current and as such is not a design factor that has to be considered.

Lamps

CDM-T 70W / 830 3000K.

CDM-T 70W / 942 4200K.

CDM-T 150W / 830 3000K.

CDM-T 150W / 942 4200K.

Accessories

Pattern holder for 'M' size steel gobos – white.

Pattern holder for 'M' size steel gobos – black.

Pattern holder for 'M' size glass gobos – white.

Pattern holder for 'M' size glass gobos – black.

Len safety mesh.

Adjustable iris.

Animation disc motor.

Colours



Black

White

White = PANTONE® 11-4800

Blanc de Blanc



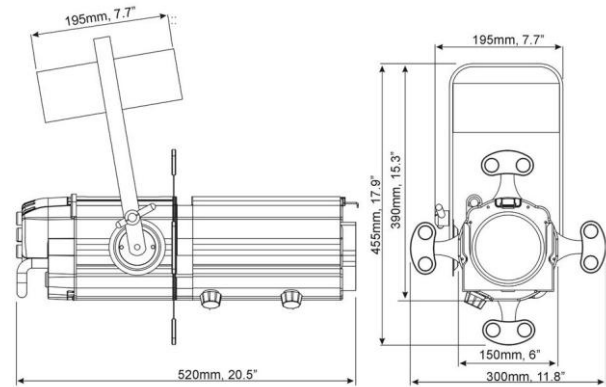
Physical data

Weight: 8.4 kg.

Colour Frame Size: 125mm x 125mm.

Pattern (Gobo) Size: M.

Included: 4x shutters, 1x colour frame & instruction sheet.



Photometric data: 18°-34° model

		Beam Diameter (meters)									
		18°	0	0.6	1.3	1.9	2.5	3.2	3.8	4.4	5.1
		34°	0	1.2	2.4	3.7	4.9	6.1	7.3	8.6	9.8
Throw Distance (meters)		0	2	4	6	8	10	12	14	16	
		Central illumination (Lux)									
CDM-T 150w/830	18°	Peak	25550	6388	2839	1597	1022	710	522	399	
		Flat	13824	3456	1536	864	563	384	282	216	
	34°	Peak	15924	3981	1770	995	637	372	325	249	
		Flat	7087	1772	788	443	284	197	145	111	
CDM-T 150w/942	18°	Peak	28438	7109	3160	1777	1138	790	580	444	
		Flat	22500	5625	2500	1406	900	625	459	352	
	34°	Peak	11813	2953	1313	738	473	328	241	185	
		Flat	6625	1656	736	414	265	184	135	104	
<small>CDM-T 70w/830 3000°K Lamp: multiply above CDM-T 150w/830 figures by x0.64</small> <small>CDM-T 70w/942 4000°K Lamp: multiply above CDM-T 150w/942 figures by x0.62</small>											

Photometric data: 24°-44° model

		Beam Diameter (meters)									
		24°	0	0.9	1.7	2.6	3.4	4.3	5.1	6.1	6.8
		44°	0	1.6	3.2	4.8	6.5	8.1	9.7	11.3	12.9
Throw Distance (meters)		0	2	4	6	8	10	12	14	16	
		Central illumination (Lux)									
CDM-T 150w/830	24°	Peak	17718	4430	1968	1107	708	492	362	277	
		Flat	8154	2038	906	510	326	227	167	127	
	44°	Peak	9570	2393	1063	599	383	266	195	150	
		Flat	3937	984	438	246	158	109	81	62	
CDM-T 150w/942	24°	Peak	22750	5688	2528	1422	910	632	464	355	
		Flat	16125	4031	1792	1008	645	448	329	252	
	44°	Peak	8563	2141	951	535	343	238	175	134	
		Flat	5625	1406	625	352	225	156	115	88	
<small>CDM-T 70w/830 3000°K Lamp: multiply above CDM-T 150w/830 figures by x0.62</small> <small>CDM-T 70w/942 4000°K Lamp: multiply above CDM-T 150w/942 figures by x0.50</small>											



Order codes: 220V-240V

Astral Axial 18°-34° Zoomspot with electronic power supply

	For 150W CDM type lamp	For 70W CDM type lamp
Black	SA-AX15ES2B	SA-AX70ES2B
White	SA-AX15ES2W	SA-AX70ES2W

Astral Axial 24°-44° Zoomspot with electronic power supply

	For 150W CDM type lamp	For 70W CDM type lamp
Black	SA-AXW150ES2B	SA-AXW70ES2B
White	SA-AXW150ES2W	SA-AXW70ES2W

NOTE: Please specify required lamp/colour temperature choice when placing your order.

Accessories

15ACGHW	Pattern holder for M size steel gobos – white
15ACGH	Pattern holder for M size steel gobos – black
15ACGHGLW	Pattern holder for M size glass gobos – white
15ACGHGL	Pattern holder for M size glass gobos – black
15ACIRIS	Adjustable iris – 20 leaf
15ACSM	Lens safety mesh

Philips Selecon reserves the right to change this product specification without notice (November 2009).